

DTP08-250kg

SWL - 250kg

Clean Mild Steel Construction

Manual Hydraulic Hand Lift Pump

Clear Polycarbonate Guarding

Zinc Primer with Powdercoated Finish

2x Outrigger Castors for Stability

Tiller Handle with Spring dampening

Rear Parking Brake

Single Wheel Rear Steering for Maximum Maneuverability

160mm Polyurethane Wheels

Customer Drawing Approval

Name :

Signature:

Date :



ASP bvba
Baanakkerweg 3
B-3060 Bertem
+32 (0)16 36 12 24
info@asp-online.be
www.asp-online.be

FINISH:

MATERIAL:

DEBURR AND BREAK SHARP EDGES

UNLESS OTHERWISE SPECIFIED:
DIMENSIONS ARE IN MILLIMETRES
TOLERANCE LINEAR: 0.0 +/0.5
0.0 +/0.1
TOLERANCE ANGULAR: 0.0 +/0.5

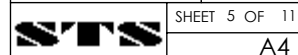
THIRD ANGLE PROJECTION
SCALE: 1:16
DO NOT SCALE DRAWING

	NAME	DATE
DRAWN	JW	23/03/2014
CHK'D	-	-
APP'VD	-	-

TITLE:
Unit Specification -
DTP08-250kg
Counterbalance
Depalletiser
DTP08

CUSTOMER:

JOB NO.	REVISION
DWG NO. 005994-5	A-05

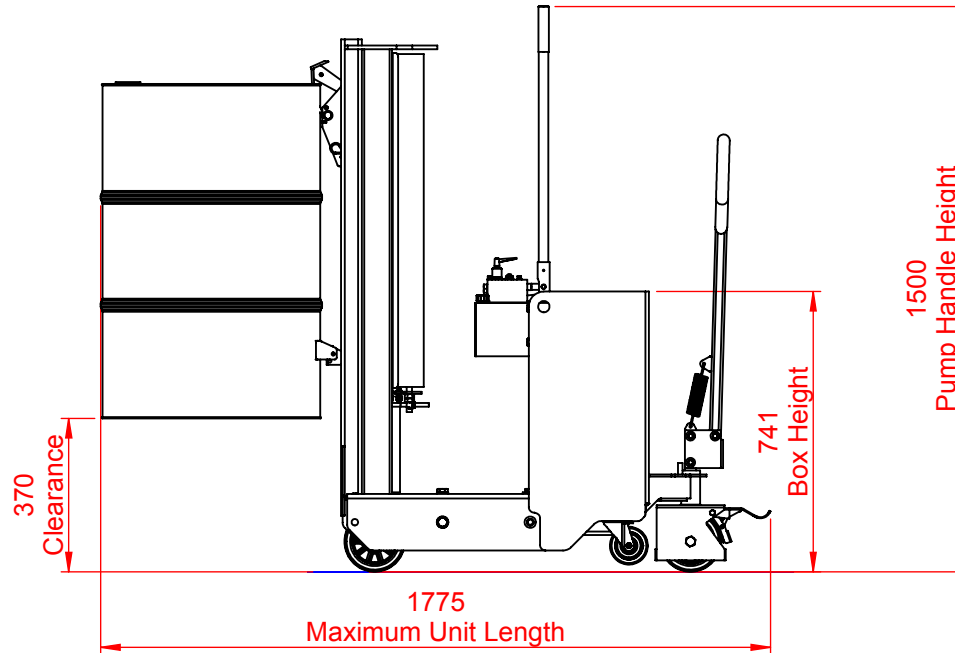
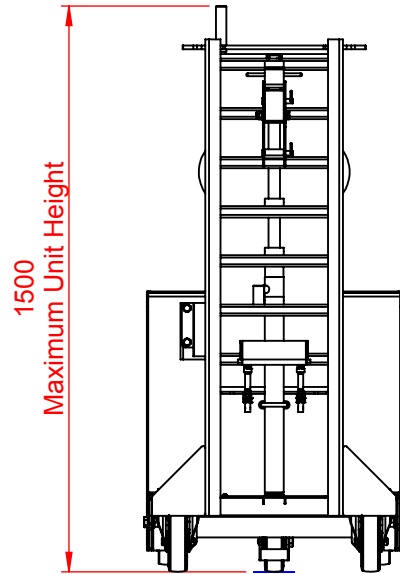
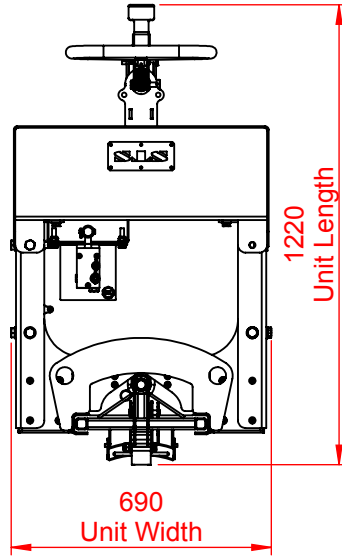


Bespoke Handling Equipment Ltd.
LEEDSTOWN, CORNWALL, TR27 6DS
TEL: 01736 851050 FAX: 01736 851023
EMAIL: sales@sts-trolleys.co.uk
WEB: www.sts-trolleys.co.uk

PROPRIETY AND CONFIDENTIAL
THE INFORMATION CONTAINED IN THIS DRAWING IS FOR THE SOLE PROPERTY OF BESPOKE HANDLING EQUIPMENT LTD. ANY REPRODUCTION IN PART OR AS A WHOLE WITHOUT THE WRITTEN PERMISSION OF BESPOKE HANDLING EQUIPMENT IS PROHIBITED.

DTP08-250kg

SWL - 250kg



Customer Drawing Approval

Name :

Signature:

Date :

REVISIONS		
REV.	DESCRIPTION	DATE

FINISH:

MATERIAL:

DEBURR AND BREAK SHARP EDGES

UNLESS OTHERWISE SPECIFIED, DIMENSIONS ARE IN MILLIMETERS	TOLERANCE LINEAR:	0.0	+/-0.5
		0.0	+/-0.1
	TOLERANCE ANGULAR:	0.0	+/-0.5

THIRD ANGLE PROJECTION

SCALE: 1:10

DO NOT SCALE DRAWING

	NAME	DATE
DRAWN	JW	23/03/2014
CHK'D	-	-
APP'VD	-	-

TITLE:
General Arrangement-
DTP08-250kg
Counterbalance
Depalletiser
DTP08

CUSTOMER:

JOB NO.	REVISION
DWG NO. 005994-6	A-05

SHEET 6 OF 11

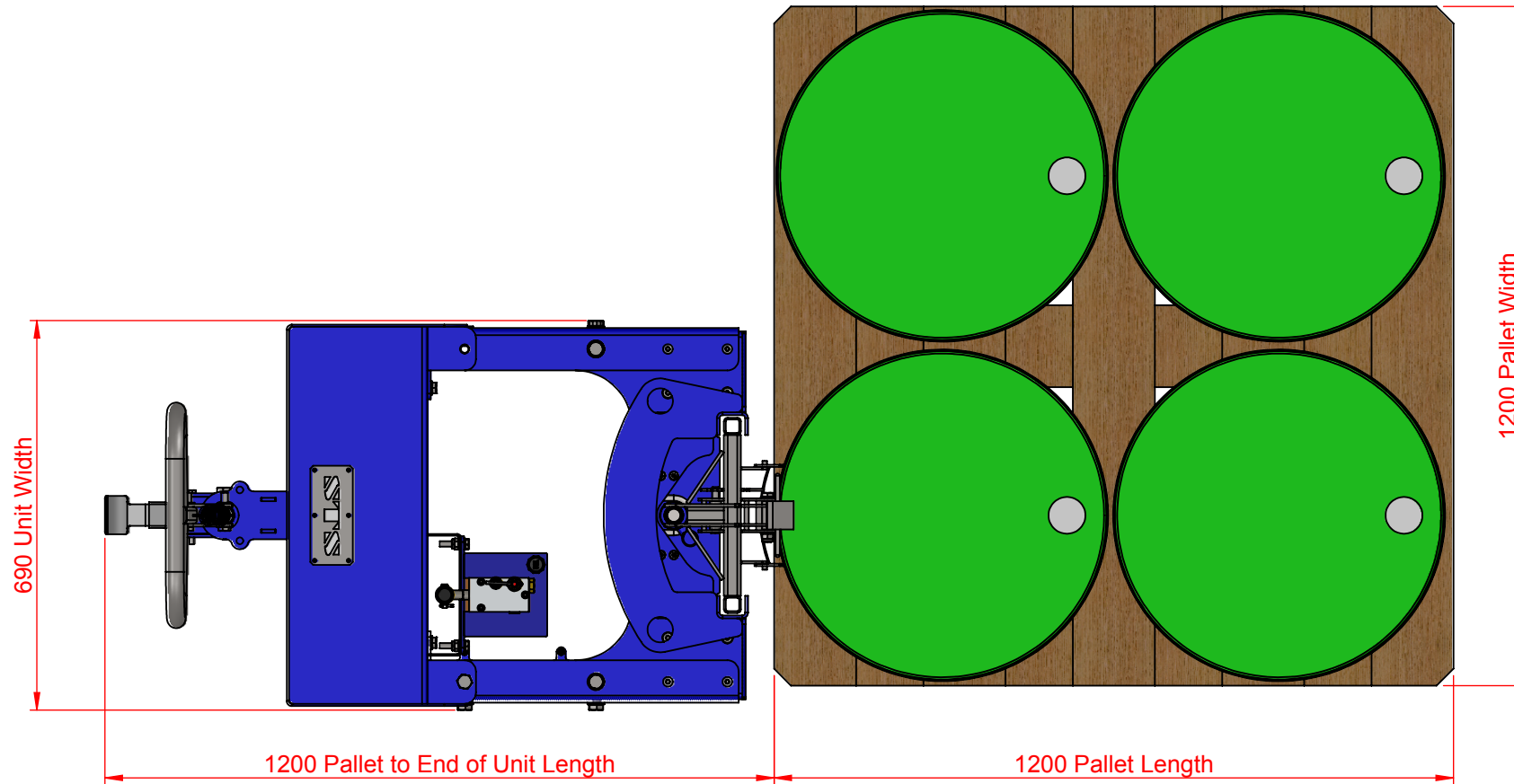
A4

Bespoke Handling Equipment Ltd.
LEEDSTOWN, CORNWALL, TR27 6DS
TEL: 01736 851050 FAX: 01736 851023
EMAIL: sales@sts-trolleys.co.uk
WEB: www.sts-trolleys.co.uk

PROPRIETARY AND CONFIDENTIAL
THE INFORMATION CONTAINED IN THIS DRAWING IS FOR THE SOLE PROPERTY OF BESPOKE HANDLING EQUIPMENT LTD. ANY REPRODUCTION IN PART OR AS A WHOLE WITHOUT THE WRITTEN PERMISSION OF BESPOKE HANDLING EQUIPMENT IS PROHIBITED.

DTP08-250kg

SWL - 250kg



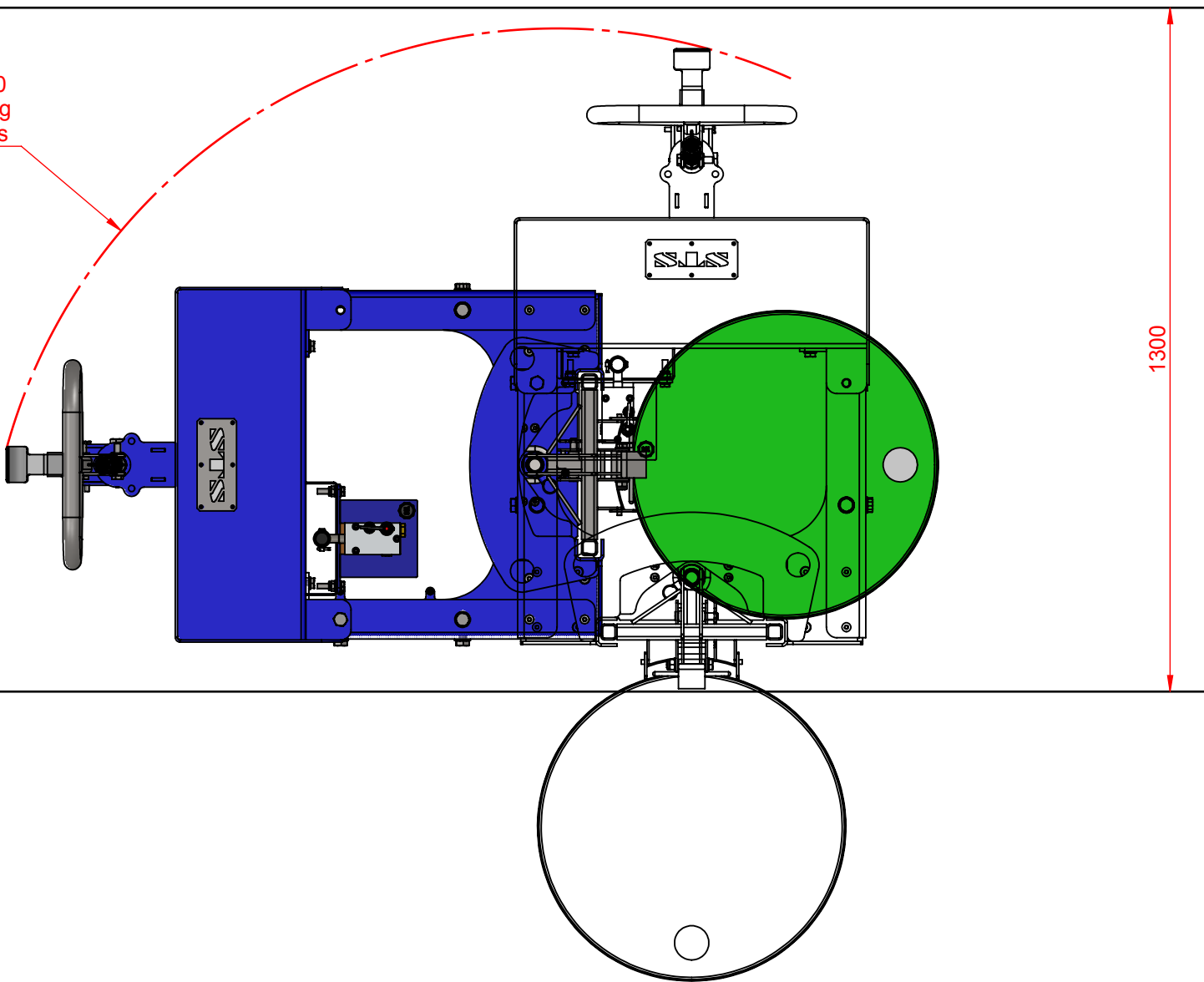
FINISH:		
MATERIAL:		
DEBURR AND BREAK SHARP EDGES		
UNLESS OTHERWISE SPECIFIED, DIMENSIONS ARE IN MILLIMETERS	TOLERANCE LINEAR:	0.0 +/0.5 0.0 +/0.1
	TOLERANCE ANGULAR:	0.0 +/0.5
THIRD ANGLE PROJECTION	SCALE: 1:12	
	DO NOT SCALE DRAWING	
	NAME	DATE
DRAWN	JW	23/03/2014
CHK'D	-	-
APP'VD	-	-
TITLE:		
Depalletising - DTP08-250kg Counterbalance Depalletiser DTP08		
CUSTOMER:		
JOB NO.		
DWG NO.	REVISION	
005994-7	A-05	
		SHEET 7 OF 11
A4		
Bespoke Handling Equipment Ltd. LEEDSTOWN, CORNWALL, TR27 6DS TEL: 01736 851050 FAX: 01736 851023 EMAIL: sales@sts-trolleys.co.uk WEB: www.sts-trolleys.co.uk		
<small>PROPRIETY AND CONFIDENTIAL THE INFORMATION CONTAINED IN THIS DRAWING IS FOR THE SOLE PROPERTY OF BESPOKE HANDLING EQUIPMENT LTD. ANY REPRODUCTION IN PART OR AS A WHOLE WITHOUT THE WRITTEN PERMISSION OF BESPOKE HANDLING EQUIPMENT IS PROHIBITED.</small>		

DTP08-250kg

SWL - 250kg

R1100
Turning
Radius

1300



FINISH:

MATERIAL:

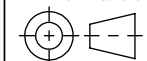
DEBURR AND BREAK SHARP EDGES

UNLESS OTHERWISE SPECIFIED, DIMENSIONS ARE IN MILLIMETERS

TOLERANCE LINEAR: 0. +/0.5
0.0 +/0.1

TOLERANCE ANGULAR: 0. +/0.5

THIRD ANGLE PROJECTION



SCALE: 1:12

DO NOT SCALE DRAWING

	NAME	DATE
DRAWN	JW	23/03/2014
CHK'D	-	-
APP'VD	-	-

TITLE:

Turning Circle -
DTP08-250kg
Counterbalance
Depalletiser
DTP08

CUSTOMER:

JOB NO.

DWG NO.	REVISION
005994-8	A-05

SHEET 8 OF 11
A4

Bespoke Handling Equipment Ltd.
LEEDSTOWN, CORNWALL, TR27 6DS
TEL: 01736 851050 FAX: 01736 851023
EMAIL: sales@sts-trolleys.co.uk
WEB: www.sts-trolleys.co.uk

PROPRIETY AND CONFIDENTIAL
THE INFORMATION CONTAINED IN THIS DRAWING IS FOR THE SOLE PROPERTY OF BESPOKE HANDLING EQUIPMENT LTD. ANY REPRODUCTION IN PART OR AS A WHOLE WITHOUT THE WRITTEN PERMISSION OF BESPOKE HANDLING EQUIPMENT IS PROHIBITED.